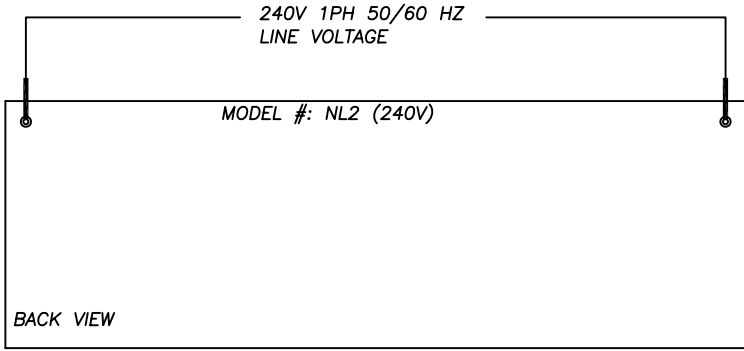
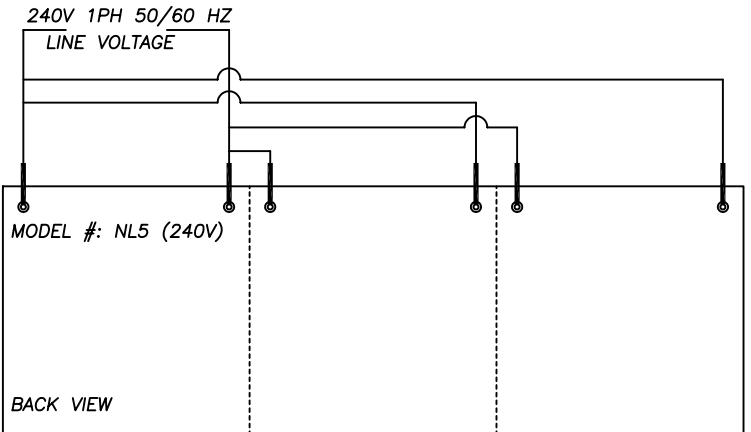
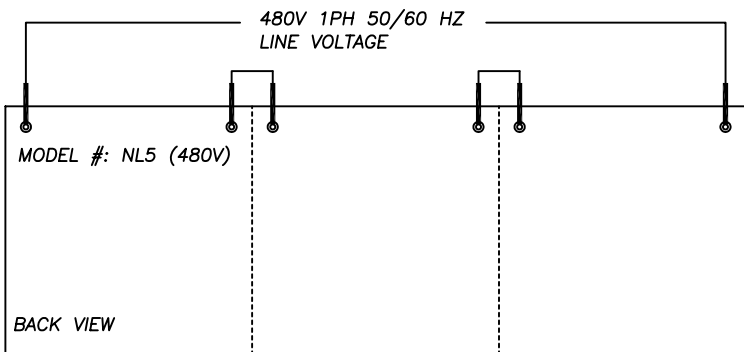
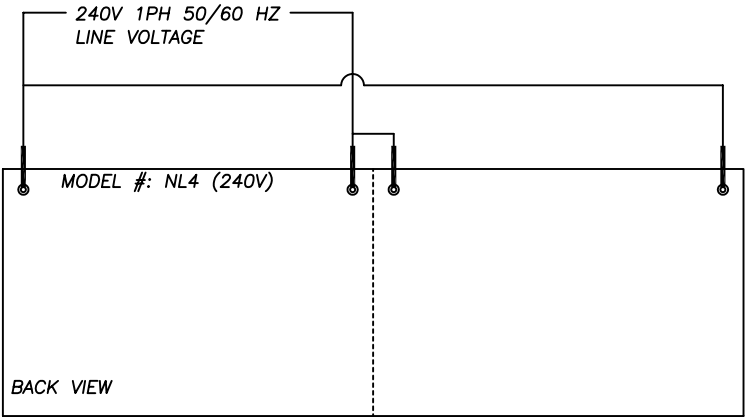
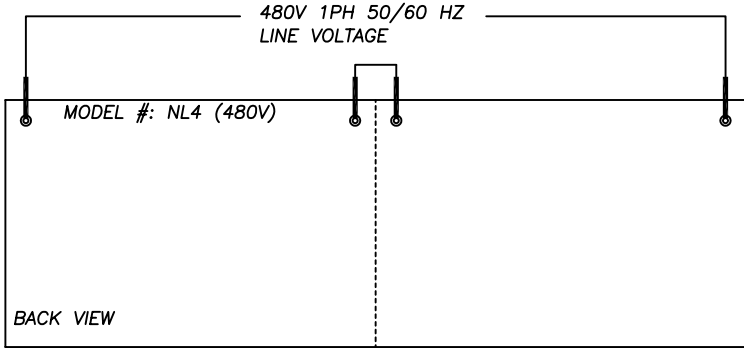
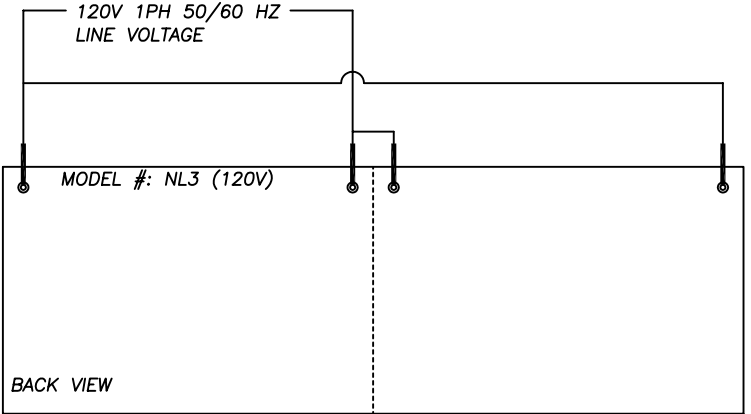
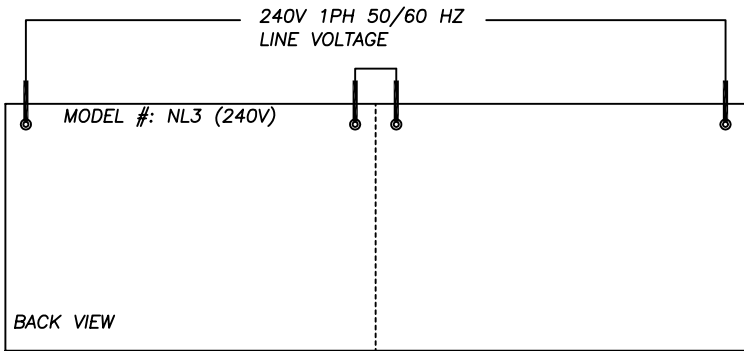


NL SERIES HEATER WIRING

DOCUMENT #: 16-412



NOTE: ALL UNITS SHIPPED WITH 12" HIGH TEMP LEADS.
INTERCONNECTIONS SHOULD BE MADE WITH 250
DEGREE OR HIGHER RATED WIRE.



WARNING:

WIRING SHOULD BE PERFORMED BY A QUALIFIED ELECTRICIAN
IN ACCORDANCE WITH NEC (NFPA10). FAILURE TO WIRE THE
HEATERS FOR THE PROPER VOLTAGE AS INDICATED ABOVE
COULD RESULT IN DAMAGE TO THE HEATER AND THERE BY
VOID THE WARRANTY OF THE UNIT.



BBC INDUSTRIES INC.

5 Copper Drive
Pacific, MO 63069 USA

(800)654-4205 WWW.BBCIND.COM