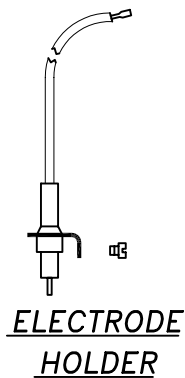
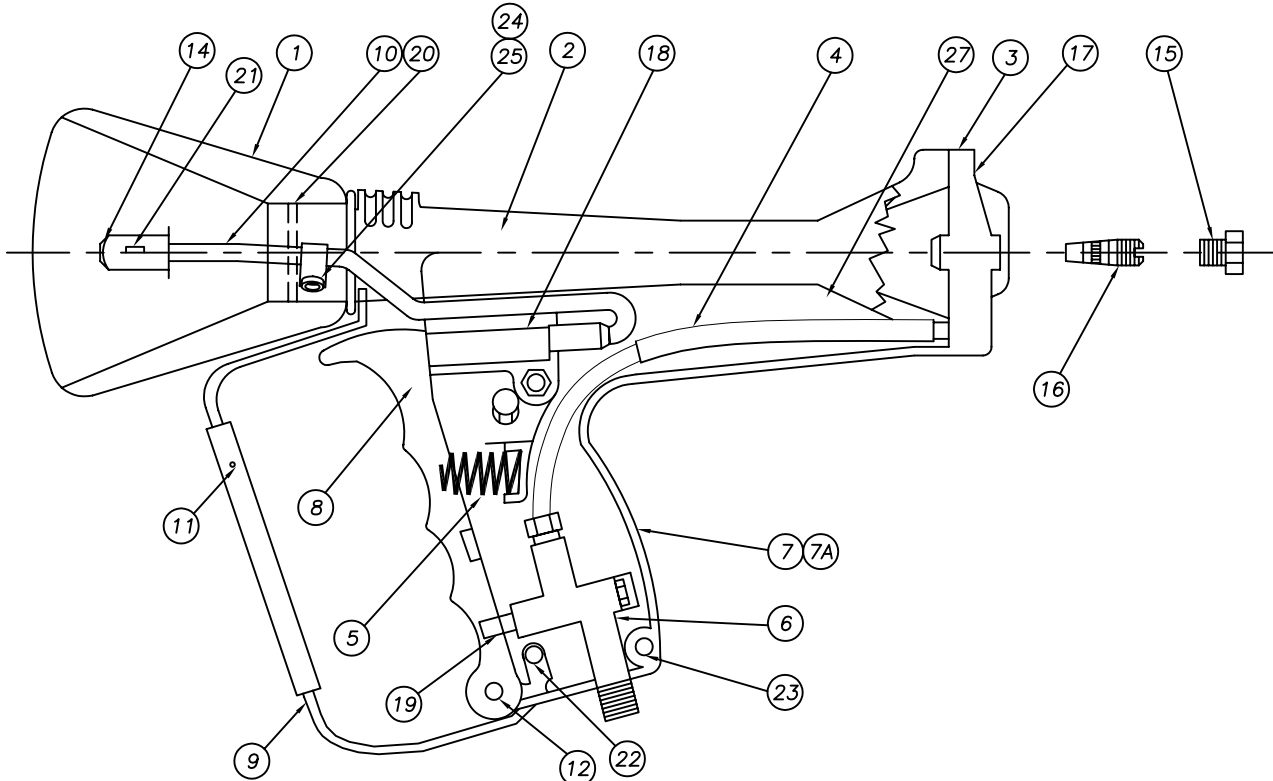


LET.	REVISION	DN	DATE
A	PRICING UPDATE	ZS	12-31-02
B	PRICING UPDATE	JRW	6-1-2006
C	UPDATED ADDRESS	JRW	1-12-2007



NO.	USUAL PARTS	PART NO.
1	COMBUSTION NOZZLE	99-400
2	BODY	99-401
3	JET BEARER COMPLETE	99-402
4	GAS TUBE	99-403
5	TRIGGER RETURN SPRING	99-404
6	GAS TAP	99-405
7	BODY 1/2 HANDLE RIGHT	99-406
7A	BODY 1/2 HANDLE LEFT	99-407
8	TRIGGER	99-408
9	GUARD SUPPORT	99-409
10	IGNITION WIRE	99-410
11	GUARD	99-411
12	TRIGGER PIN ASSEMBLY	99-412
14	FRONT HANDLE BLOCK	99-413
15	JET COVER	99-414
16	JET	99-415
17	SCREW CB M4 X 10	99-416
18	PIEZO IGNITER	99-208
19	SCREW M 8 X 8 ST (TAP ADJ.)	99-417
20	COMBUSTION O-RING IN.DIAM36.5	99-418
21	SCREW CHC 3 X 4	99-419
22	SCREW CHC M 4 X 25	99-421
23	SCREW CHC M 4 X 16	99-422
24	WING SCREW MA 5 X 8	99-423
25	FLEX WASHER DIAM 5	99-424
	THESE ITEMS NOT SHOWN	
27	ADJUSTABLE PRESSURE REG. US/	99-227
28	SWIVEL CONNECTOR	99-209
29	8MM HOSE WITH COLLARS & CON.	99-216
30	PLASTIC CHEST	99-426
31	SPANNER WRENCH	99-427
32	RI-PACK 2000	99-021

PROPRIETARY DRAWING

The information and design illustrated on and embodied in this drawing is confidential and the exclusive property of BBC Industries.

TOLERANCES (UNLESS NOTED)

MACHINED	XXX	E .01
	XXX	E .005
WELDED		E 1/16"
FRACTIONAL		E 1/32
ANGULAR		E 1 DEG.



Black Body

BBC INDUSTRIES, INC.

5 Copper Drive
Pacific, MO 63069 USA
www.bbcind.com
(800)654-4205

PAR. DWG.

TITLE
**RIPACK 2000
SPARE PARTS LIST**

SCALE		MODEL		SHT. 1
NONE		RIPACK 2000		OF 1
DATE		REV. NO.		REVISION
10-29-92		99-021		C
DN BY:	CK BY:			
TB				