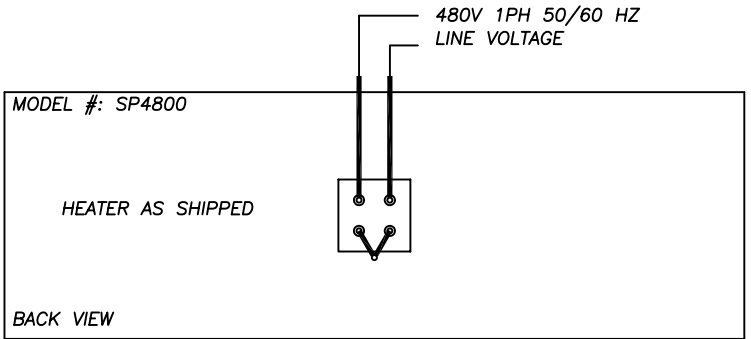
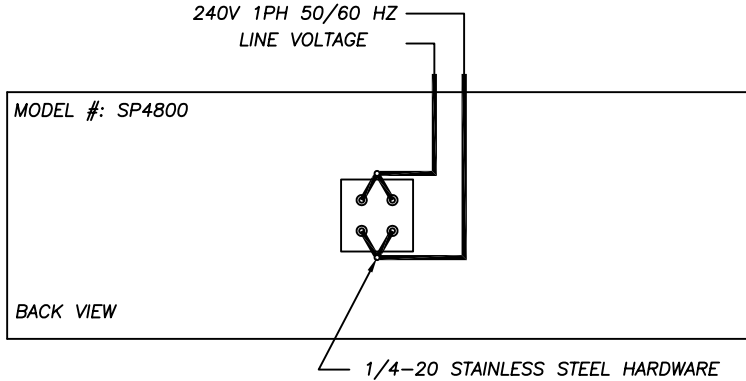
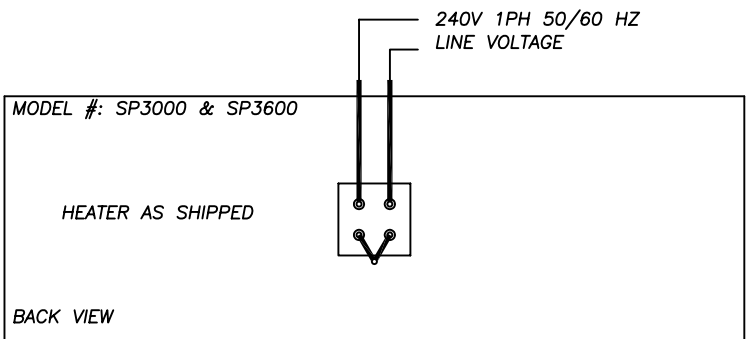
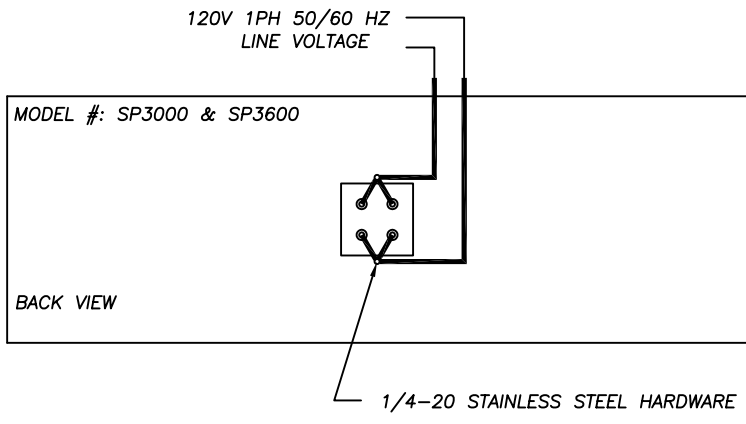
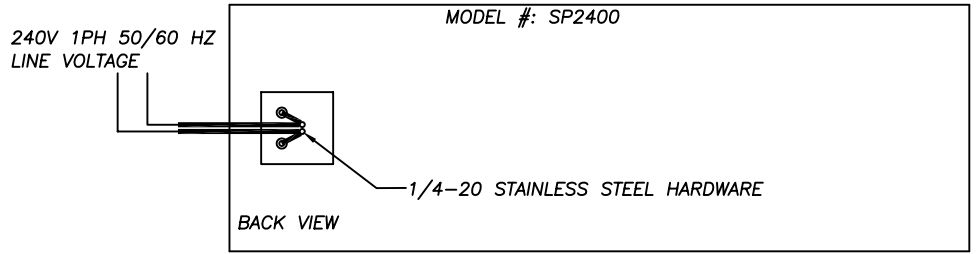


# SP SERIES HEATER WIRING

DOCUMENT #: 16-411



**WARNING:**

WIRING SHOULD BE PERFORMED BY A QUALIFIED ELECTRICIAN IN ACCORDANCE WITH NEC (NFPA10). FAILURE TO WIRE THE HEATERS FOR THE PROPER VOLTAGE AS INDICATED ABOVE COULD RESULT IN DAMAGE TO THE HEATER AND THERE BY VOID THE WARRANTY OF THE UNIT.

NOTE: COVER ALL ELECTRICAL CONNECTIONS WITH FIBERGLASS SLEEVING PROVIDED.



**BBC INDUSTRIES INC.**

5 Capper Drive  
Pacific, MO 63069 USA

(800)654-4205 [WWW.BBCIND.COM](http://WWW.BBCIND.COM)