



LITTLE BUDDY LB15-HK HEIGHT KIT ASSEMBLY

ENM-4132-00

ORIGINAL DOCUMENT

Please review all these instructions before attempting assembly. Unpack, identify, and inspect all parts. Report any missing or damaged items.

Tools Required: Two ½-inch wrenches.

Parts List:

| Label on Box | Qty | Contents |
|--------------|-----|---------------------|
| LB15-HK | 2 | CHAMBER RISER |
| | 4 | 5/16-18 NUT |
| | 4 | 5/16-18 x 3/4L BOLT |

Note: Portions of the assembly procedure require 2 people.

Height Kit Assembly:

1. Assemble the Little Buddy Conveyor Bed per manual. Do not install the Heating Chamber.
2. Remove (4X) NUTS and (4X) BOLTS from Conveyor Bed per Figure 1 of this Manual.
3. Install CHAMBER RISERS with (4X) NUTS and (4X) BOLTS from previous step. See Figure 1.
4. Refer to the Little Buddy User Manual to install the Heating Chamber over protruding bolts.
5. Refer to Little Buddy manual for balance of assembly and operation.

Please contact the service department at *BBC Industries* (800-654-4205) or service@bbcind.com with any questions regarding these instructions.

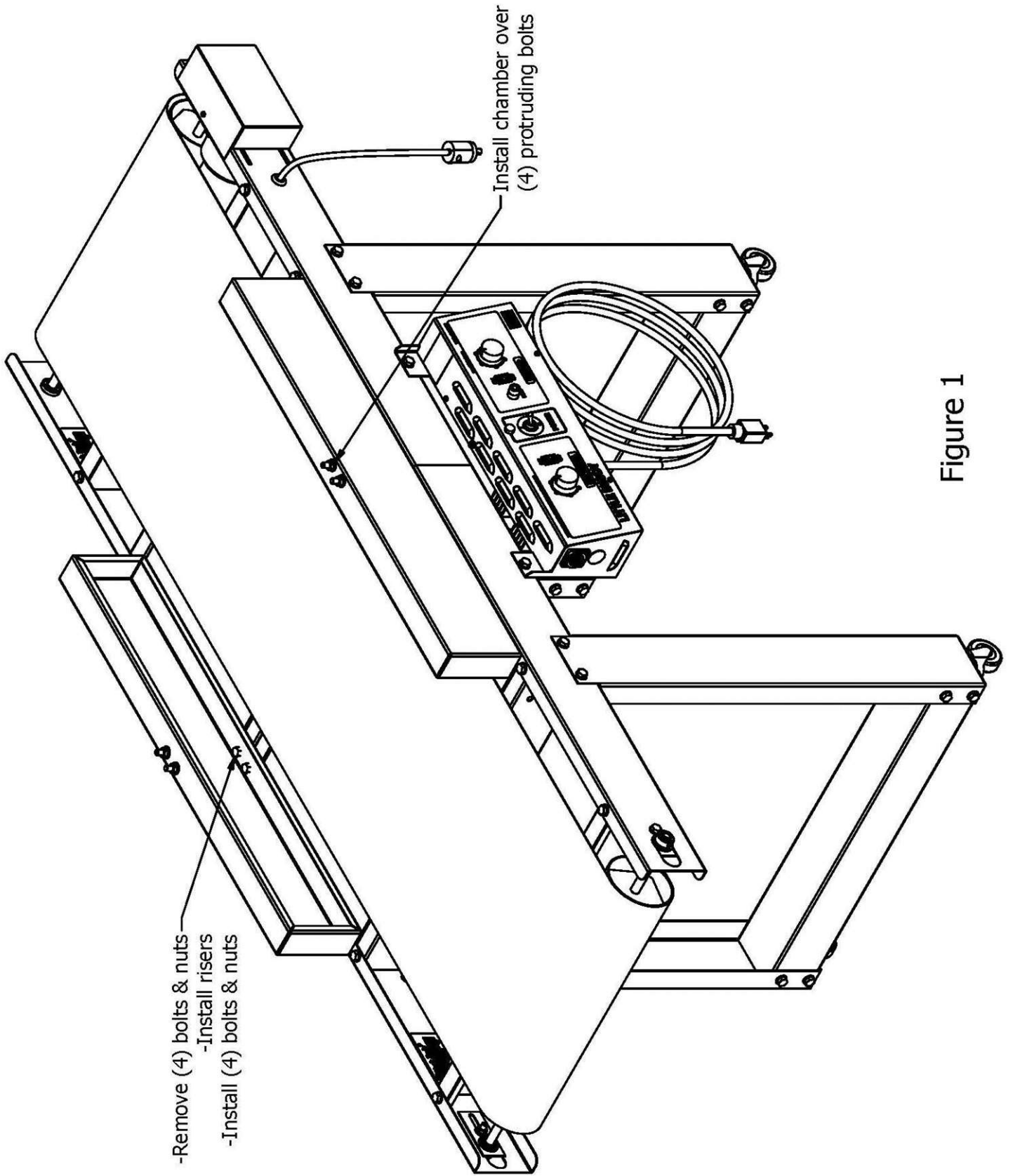


Figure 1