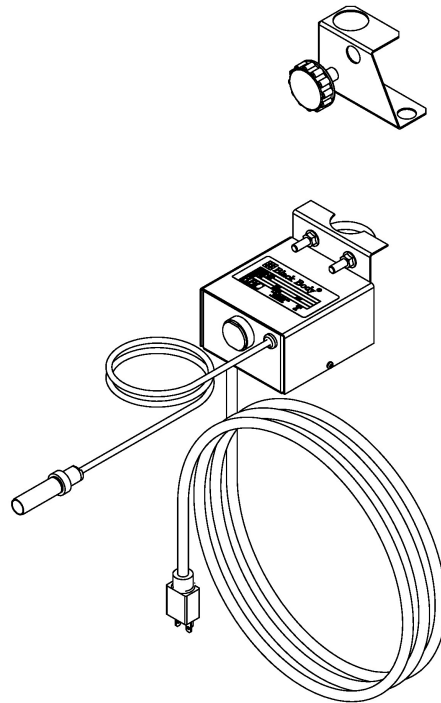




PLATEN GUARD

PG-120 & PG-218

(Original Document)



IMPORTANT INSTRUCTIONS

SAVE THESE INSTRUCTIONS FOR FUTURE REFERENCE

Please review all these instructions prior to assembly.

800-654-4205 – 1100 Jefferson Street – Pacific, MO 63069 USA

www.bbcind.com

- Please review all these instructions prior to assembling, installing, or operating the equipment.
- A 1/2-inch wrench is required for assembly. Verify the proper tools, materials, and personnel are available for the safe and successful use of the PG-120 or PG-218 Platen Guards.
- The PG-120 can be used with the optional HC-120 heat control.
- The PG-218 can be used with the optional HC-218 heat control.
- Contact BBC Industries with any questions.

Model No	For Use With
PG-120	BF2-2000SD, BF2-2200SD
PG-218	AF2-4000-H, BF1-1800SD, BF2-2600SD, BF2-2700SD, BF2-3400SD, BF3-3001SD, BF3-3600SD, BF3-4500SD, BF4-4000SD

ASSEMBLY INSTRUCTIONS

1. Remove the **UPPER TUBE** from the **LOWER TUBE** and **SHAFT COLLAR**.
2. Insert **UPPER TUBE** through the **CLAMP** and **SHAFT COLLAR** and back into **LOWER TUBE** of the stand, securing the **SHAFT COLLAR** at the desired Heater height. (See FIGURE 1).
3. Secure **PLATEN GUARD ENCLOSURE** to the **LOWER TUBE** by tightening the **U-BOLT** with **NUTS (2x)**.
4. Insert and fasten the **PHOTO EYE** in appropriate mounting hole according to the intended application. (See instructions below).

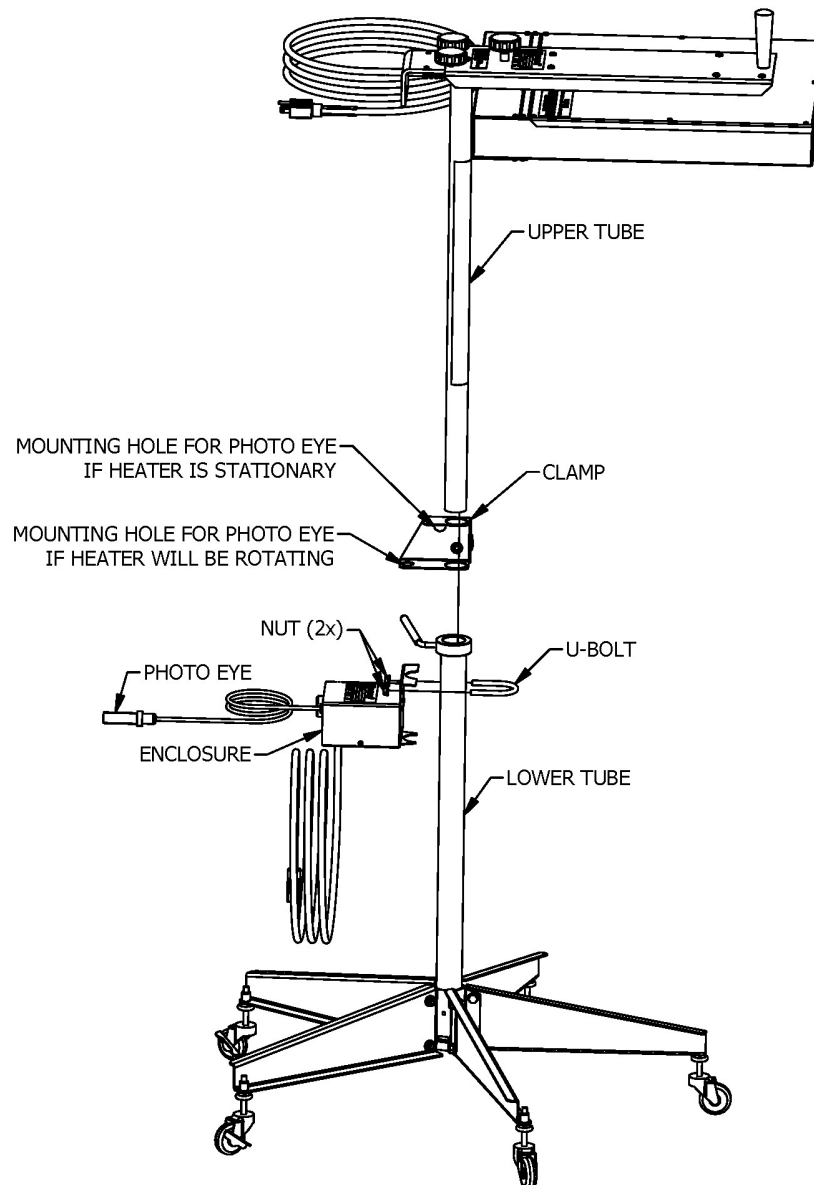


FIGURE 1

PHOTO EYE POSITIONING AND UNIT OPERATING INSTRUCTIONS

Rotating Heater:

1. After mounting the **PHOTO EYE**, position the **HEATER, ENCLOSURE**, and **CLAMP** as shown in FIGURE 2.
2. Secure the **CLAMP** to the **UPPER TUBE** by tightening the knob on the backside of the **CLAMP**. The **PHOTO EYE** should be positioned directly over the center of **ENCLOSURE** when the **HEATER** is over the **PLATEN**. The distance from the **PHOTO EYE** to the **ENCLOSURE** cannot exceed 12 inches.
3. Plug the **HEATER** into the **PG-120/PG-218**, then plug the **PG-120/PG-218** into your power source.
4. Turn the **HEATER ON**.
5. Rotate the **HEATER** so the **PHOTO EYE** is *clear* of the **ENCLOSURE** allowing the **HEATER** to reach temperature.
6. Position the **HEATER** as shown in FIGURE 2 for the proper function of **PG-120/PG-218**. When the **HEATER** is over the **PLATEN**, the **PHOTO EYE** needs to be aligned over the **ENCLOSURE**.

When the **PHOTO EYE** is blocked by the **ENCLOSURE**, a one-minute timer begins. If the timer expires, a buzzer sounds and power to the **HEATER** is turned off. When the **HEATER** is rotated away from the **PLATEN**, and consequently the **PHOTO EYE** off the **ENCLOSURE**, the timer resets, and the **HEATER** remains powered.

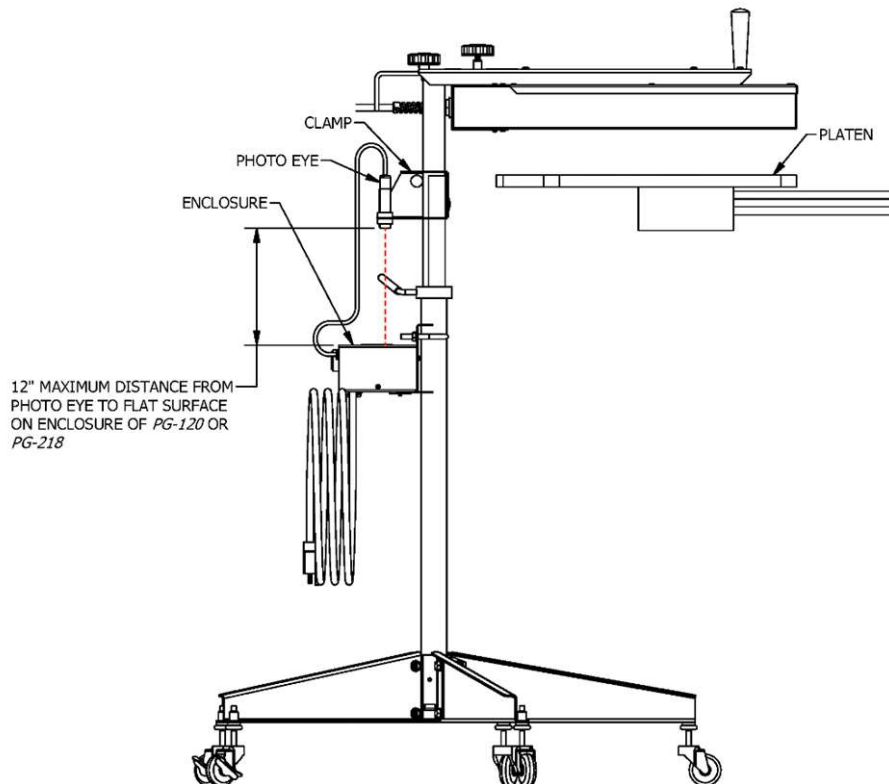


FIGURE 2

Stationary Heater:

1. After mounting the **PHOTO EYE**, position the **HEATER, ENCLOSURE**, and **CLAMP** as shown in FIGURE 3.
2. Secure the **CLAMP** to the **UPPER TUBE** by tightening the knob on the backside of the **CLAMP**. The **PHOTO EYE** should be positioned so that it is blocked by the edge of the **PLATEN** when the **PLATEN** is directly under the **HEATER**. The distance from the **PHOTO EYE** to the edge of the **PLATEN** cannot exceed 12 inches.
3. Plug the **HEATER** into **PG-120/PG-218**, then plug the **PG-120/PG-218** into your power source.
4. Turn HEATER **ON**.
5. Rotate the **PLATEN** *clear* of the **PHOTO EYE** to allow the **HEATER** to reach temperature.
6. Position the **HEATER** as shown in FIGURE 3 for the proper function of **PG-120/PG-218**.

When the **PHOTO EYE** is blocked by the edge of the **PLATEN**, a one-minute timer begins. If the timer expires, a buzzer sounds and power to the **HEATER** is turned off. When the **PLATEN** is rotated away from the **HEATER** and **PHOTO EYE**, the timer resets, and the **HEATER** remains powered.

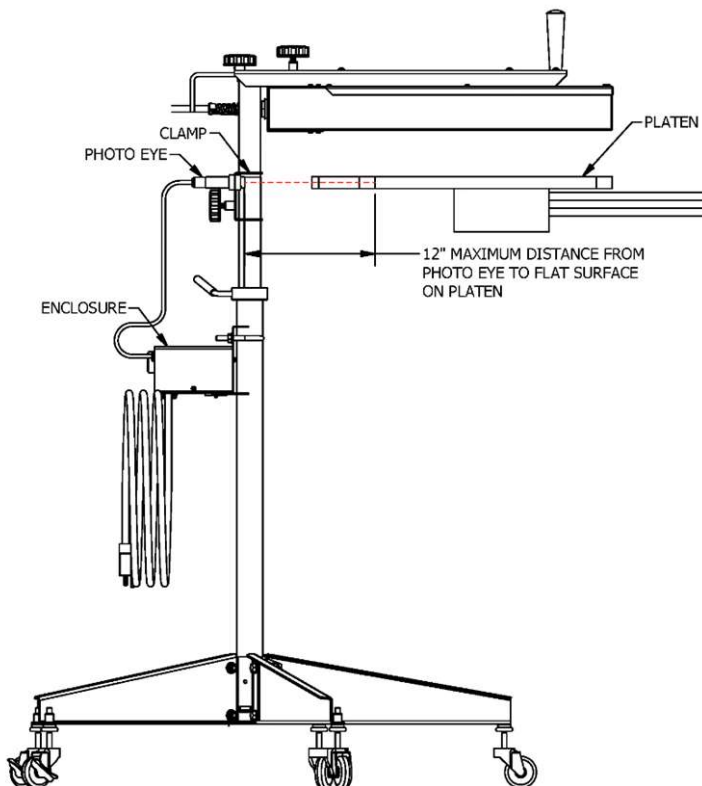


FIGURE 3